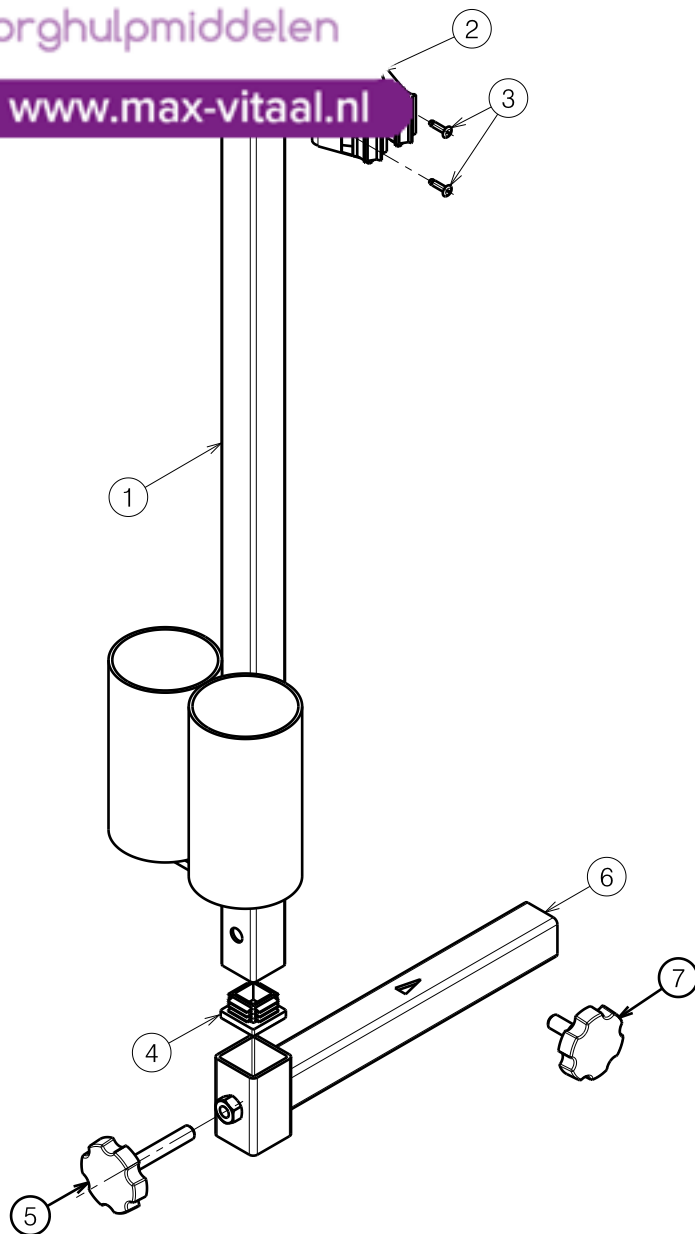




www.max-vitaal.nl

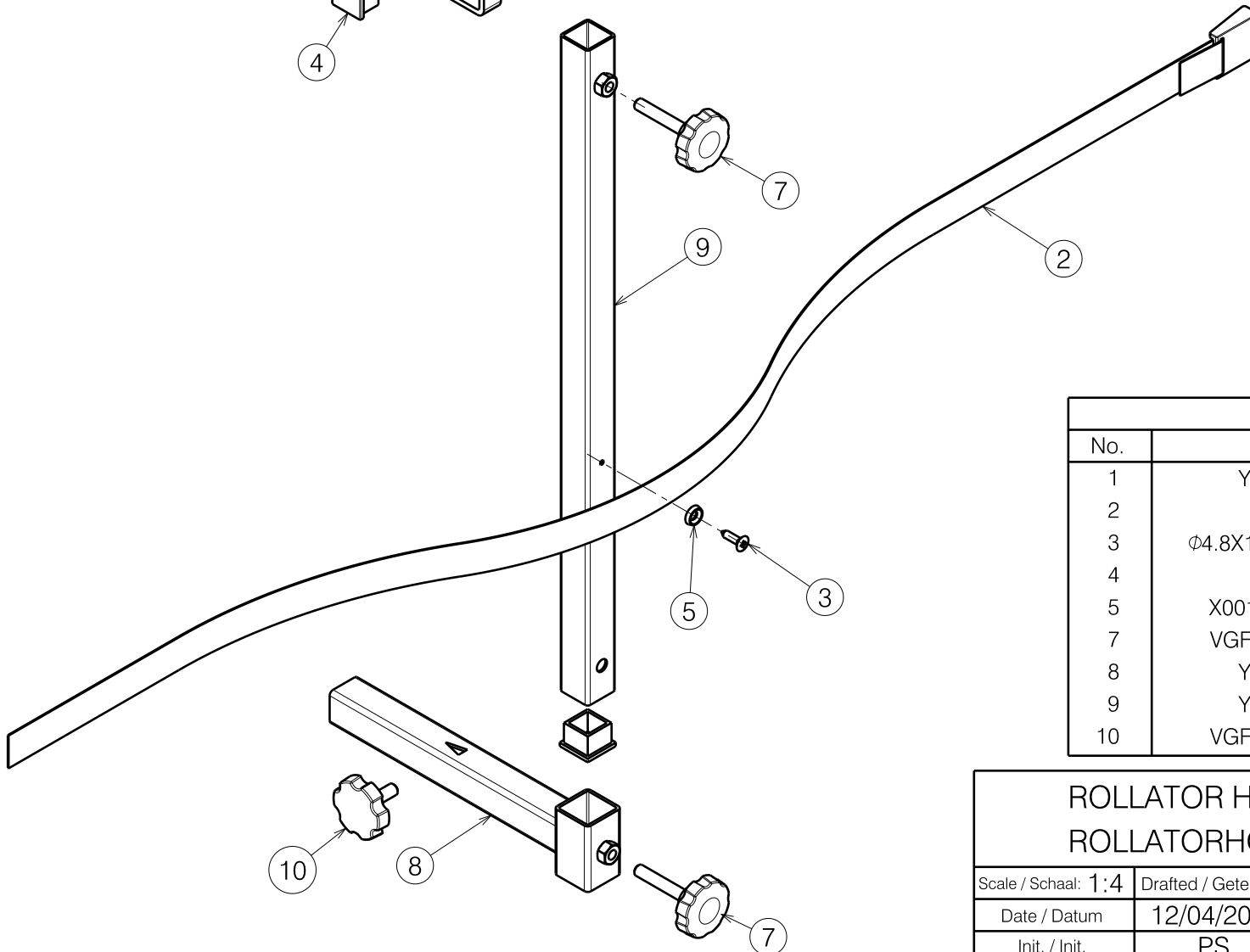
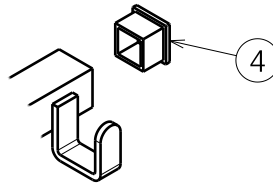


Material			
No.	Plan	Article	Quantity
1	Y017126	1740054	1
2	Ø22	1908818	2
3	Ø3x10	1908849	4
4	25x25	1001617	2
5	VGF40 M8x45	2990016	1
6	Y023056	2051554	1
7	VGF40 M8x16	2990024	1

E000649 / L

2991004

B31 CRUTCH HOLDER				Plan Number
				E000649/L
Scale: 1:4	Drafted	Verified	Confirmed	
Date	13/09/2010	20/09/2018	20/09/2018	
Initials	TT	TT	PJ	



Material			
No.	Plan	Article	Quantity
1	Y008182	1610754	1
2	Belt	1000551	1
3	Ø4.8X19 (DIN7983)	1001534	1
4	25x25	1001617	3
5	X001473 (PA6)	1002994	1
7	VGf 40 M8x45	2990016	2
8	Y023056	2051554	1
9	Y023058	2052254	1
10	VGf 40 M8x16	2990024	1

1904796

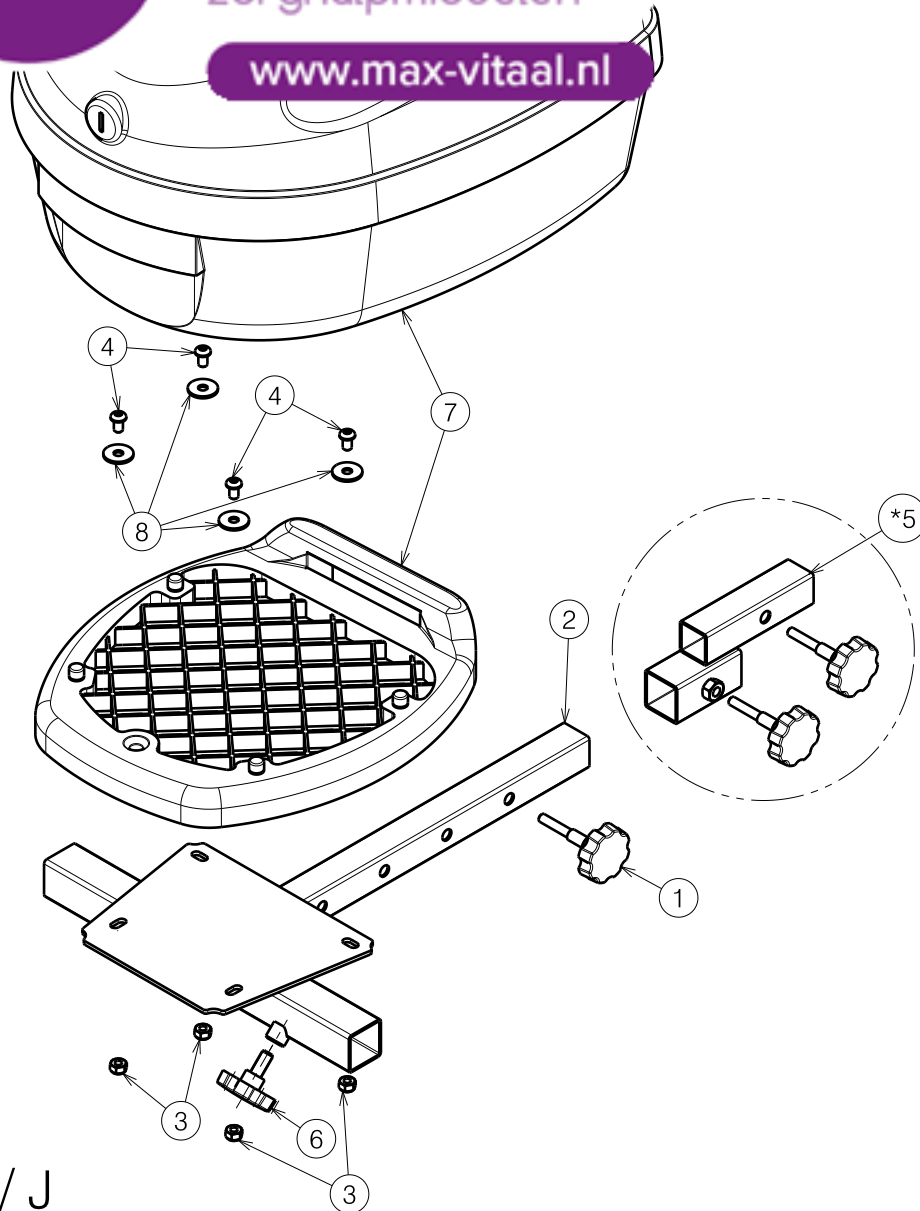
ROLLATOR HOLDER SHOPRIDER
ROLLATORHOUDER SHOPRIDER

Plan No. / Plannr.

E000218/F

Scale / Schaal: 1:4	Drafted / Getekend	Verified / Nagezien	Confirmed / Bevestigd
Date / Datum	12/04/2005	03/05/2019	03/05/2019
Init. / Init.	PS	TT	PJ





E000813 / J

* Adapter Carpo4 Deluxe / Carpo2 / Ceres

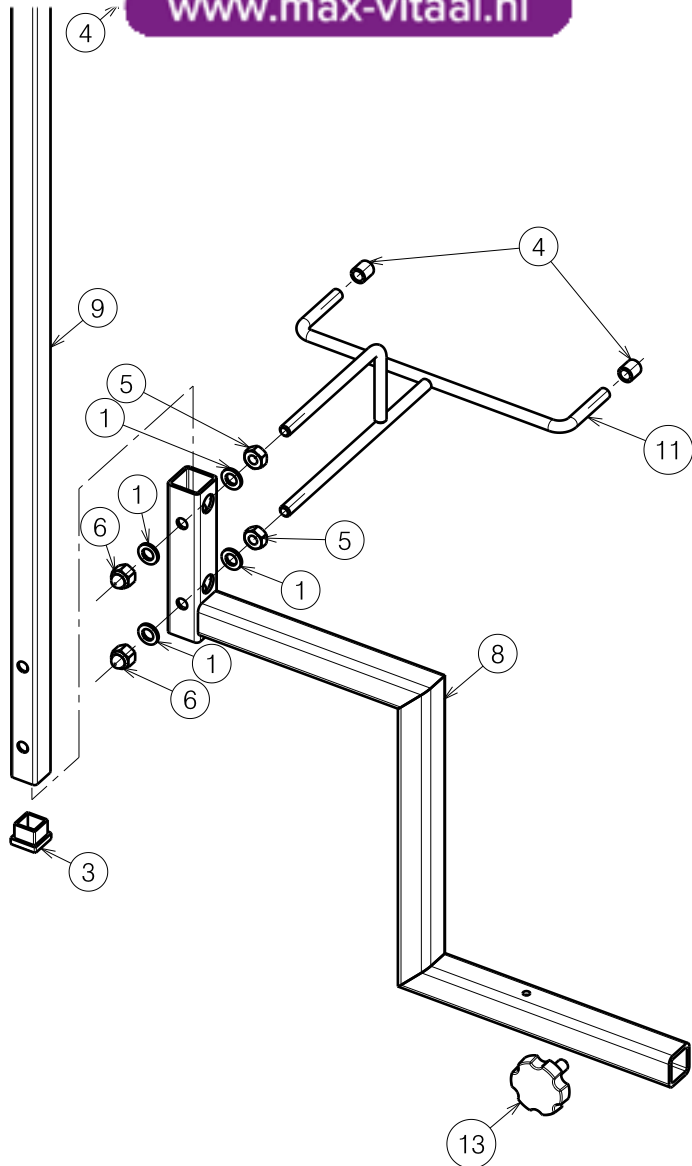
Material			
No.	Plan	Article	Quantity
1	XP00116	2990074	1
2	Y018748	1773854	1
3	---	1001682	4
4	---	1900641	4
*5	E001128	1908396	1
6	---	2990024	1
7	---	W201138	1
8	---	1909451	1

1908395 *

1908152

SW03 TOPCASE FOR SCOOTER SW03 KOFFER VOOR SCOOTER			Plan No. E000813 / J
Scale: 1:5	Drafted	Verified	Confirmed
Date	29/05/2012	06/05/2019	06/05/2019
Initials	TT	TT	PJ





Material			
No.	Plan	Article	Quantity
1	M8 DIN125B	1001556	4
2	M8x20	1001580	1
3	20x20	1001612	1
4	∅7.8	1001622	6
5	M8 DIN934	1001671	2
6	M8x14	1902024	2
8	Y022385	2042104	1
9	Y021532	2014304	1
10	Y021533	2014004	1
11	Y021537	2014204	1
13	M8x16	2990024	1

1913980

E000996 / F

ROLLATOR HOLDER FOR QUADRI LIGHT

Plan No.

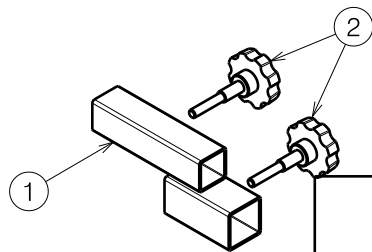
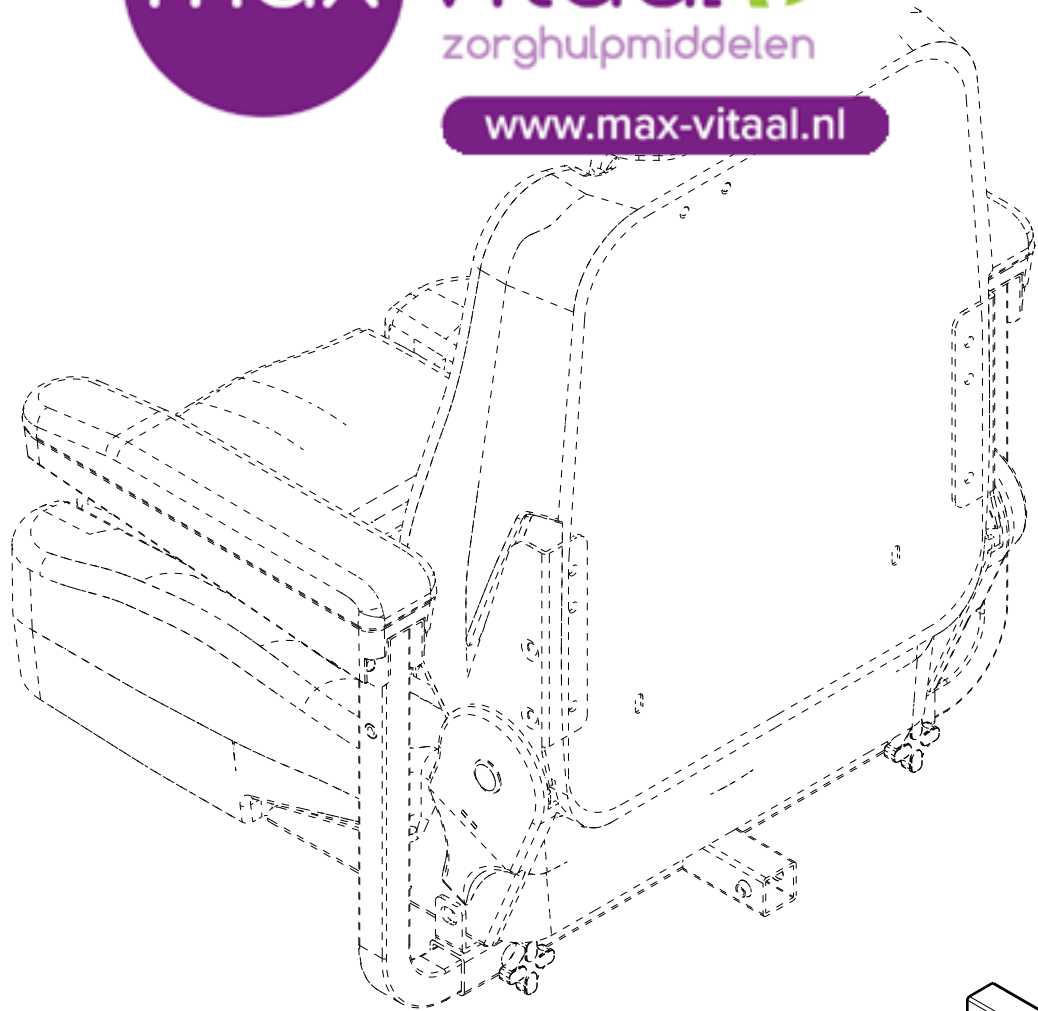
E000996 / F

Scale: 1:5	Drafted	Verified	Confirmed
Date	21/09/2015	06/05/2019	06/05/2019
Initials	TT	TT	PJ





www.max-vitaal.nl



Material			
No.	Plan	Article	Quantity
1	Y018809	1776254	1
2	XP00116 VGF 40 M8x16 L=45	2990074	2

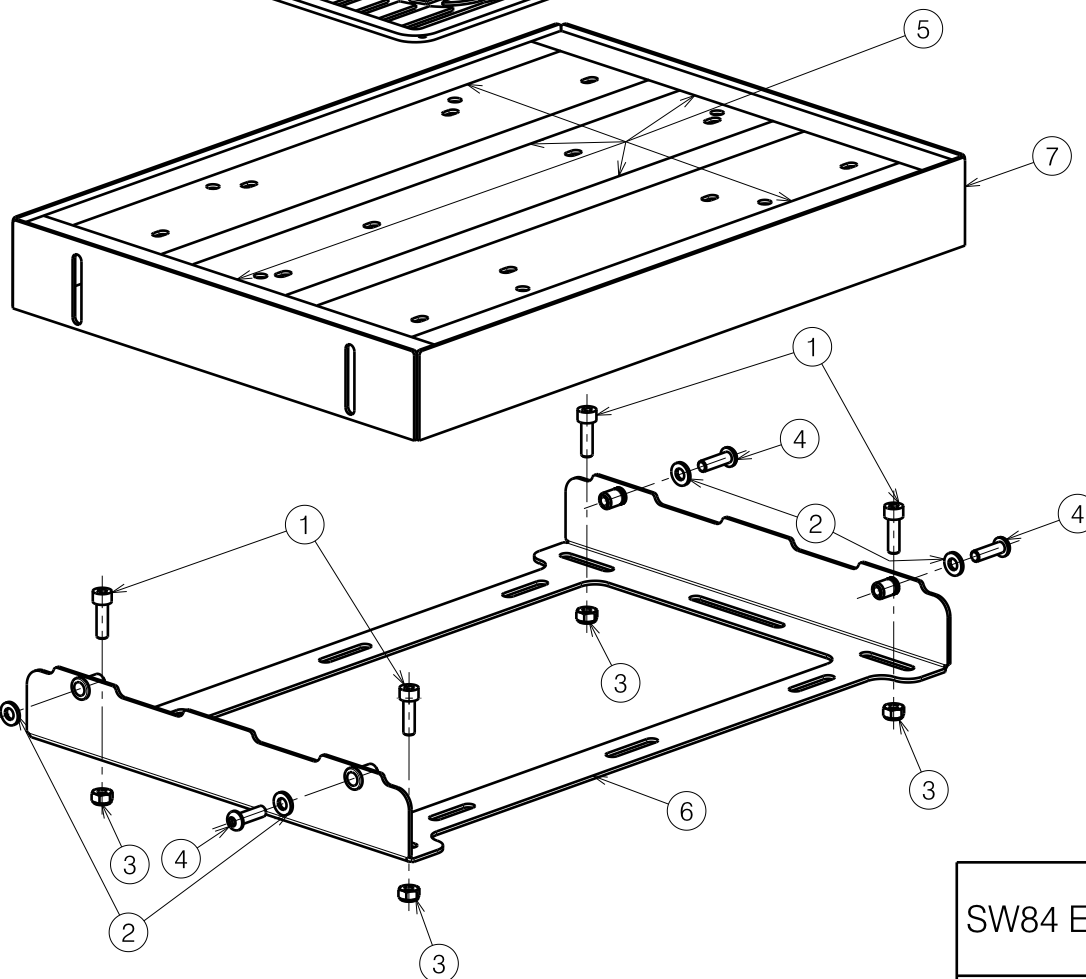
1908396

ADAPTER FOR SW03 CARPO / CERES				Plan No.
				E001128 / A
Scale: 1:5	Drafted	Verified	Confirmed	
Date	03/05/2019	06/05/2019	06/05/2019	
Initials	TT	SD	PJ	

E001128 / A



www.max-vitaal.nl



Material			
No.	Plan	Article	Quantity
1	M6x20 DIN912/8.8	1001493	4
2	M6 DIN125A	1001564	4
3	M6 DIN985	1001680	4
4	M6x20 ISO7380	1006999	4
5	24mm	1904848	2m
6	Y023670	2072854	1
7	Y023674	2072954	1
8	XC00496	3991982	1

Note:

Position of mounting holes, for bolts (item 1) in plastic foot plate, can vary from model to model. Use plate sleeves of frame (item 6) as guides to drill the holes and to avoid drilling through cables or chassis tubes

E001130 / C

SW84 ELEVATED FOOT PLATE CARPO-CERES

Plan No.

E001130 / C

Scale: 1:4

Drafted

Verified

Confirmed

Date

18/06/2019

27/05/2020

27/05/2020

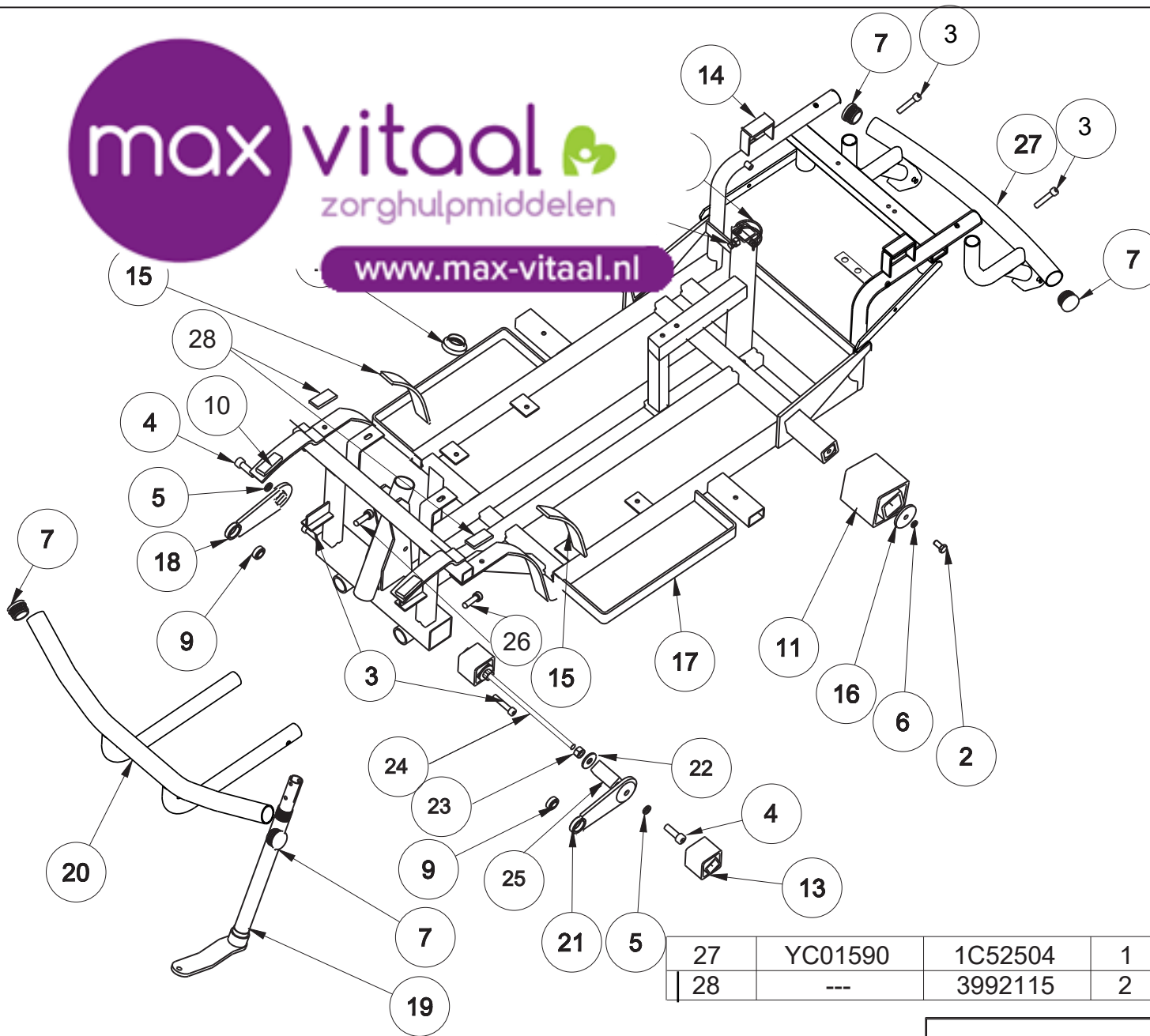
Initials

TT

TT


PJ

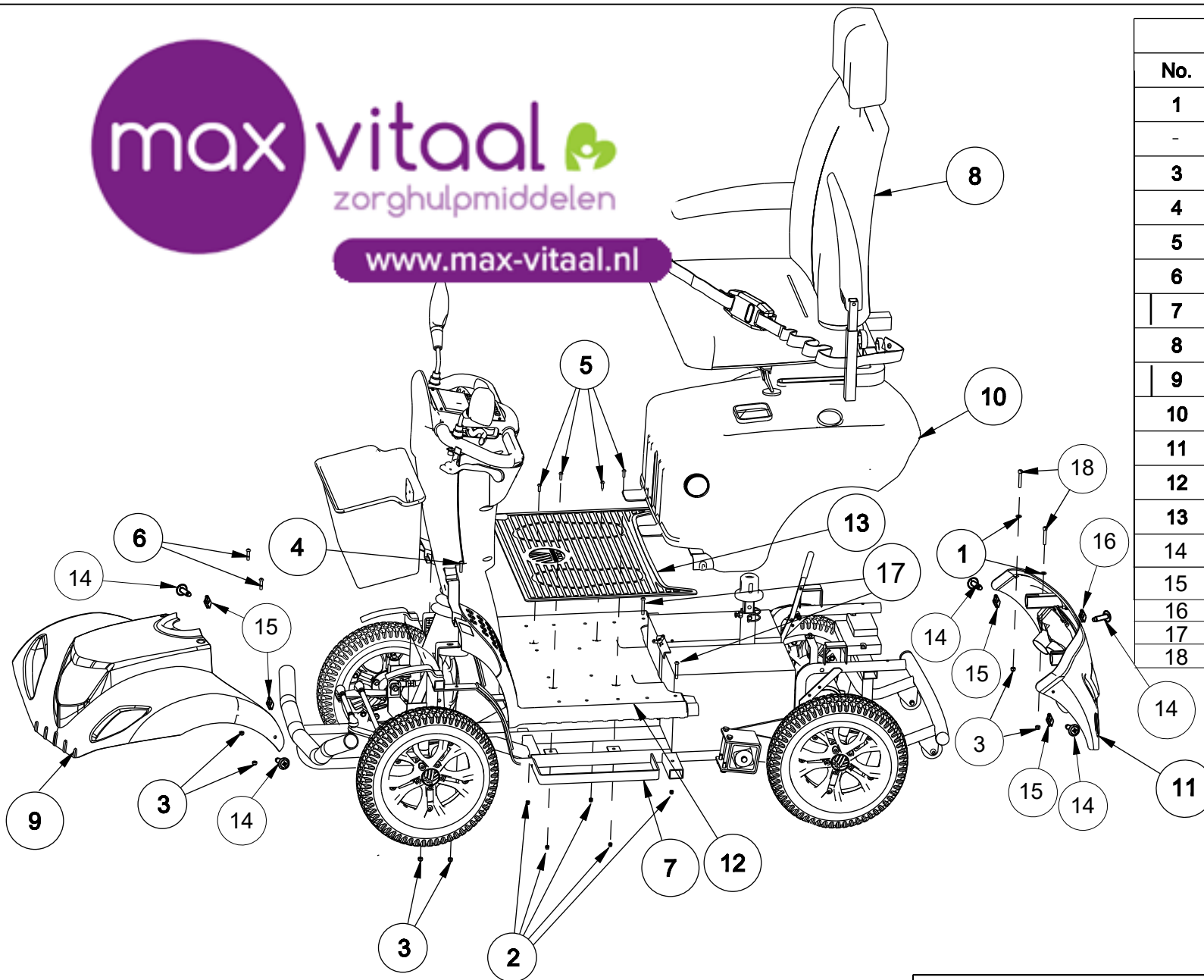




Material			
No.	Plan	Article	Number
1	---	1001440	1
2	---	3991096	2
3	---	3991566	4
4	---	1001502	2
5	---	1001566	2
6	---	1001570	2
7	---	1903928	4
8	---	1993594	1
9	---	3990704	2
10	---	3990713	2
11	---	3990753	2
12	---	3990781	1
13	---	3990752	2
14	XC00179	3990713	2
15	XC00294	3990677	2
16	YC00609	1C34054	2
17	YC01574	1C52304	1
18	YC00627	1C22600	1
19	YC00629	1C22800	1
20	YC01587	1C52404	1
21	YC00638	1C23700	1
22	---	1001558	2
23	---	1001672	2
24	YC00859	3990779	1
25	YC00860	3990778	2
27	YC01590	1C52504	1
28	---	3992115	2
26	---	1001498	2


EC00286/D

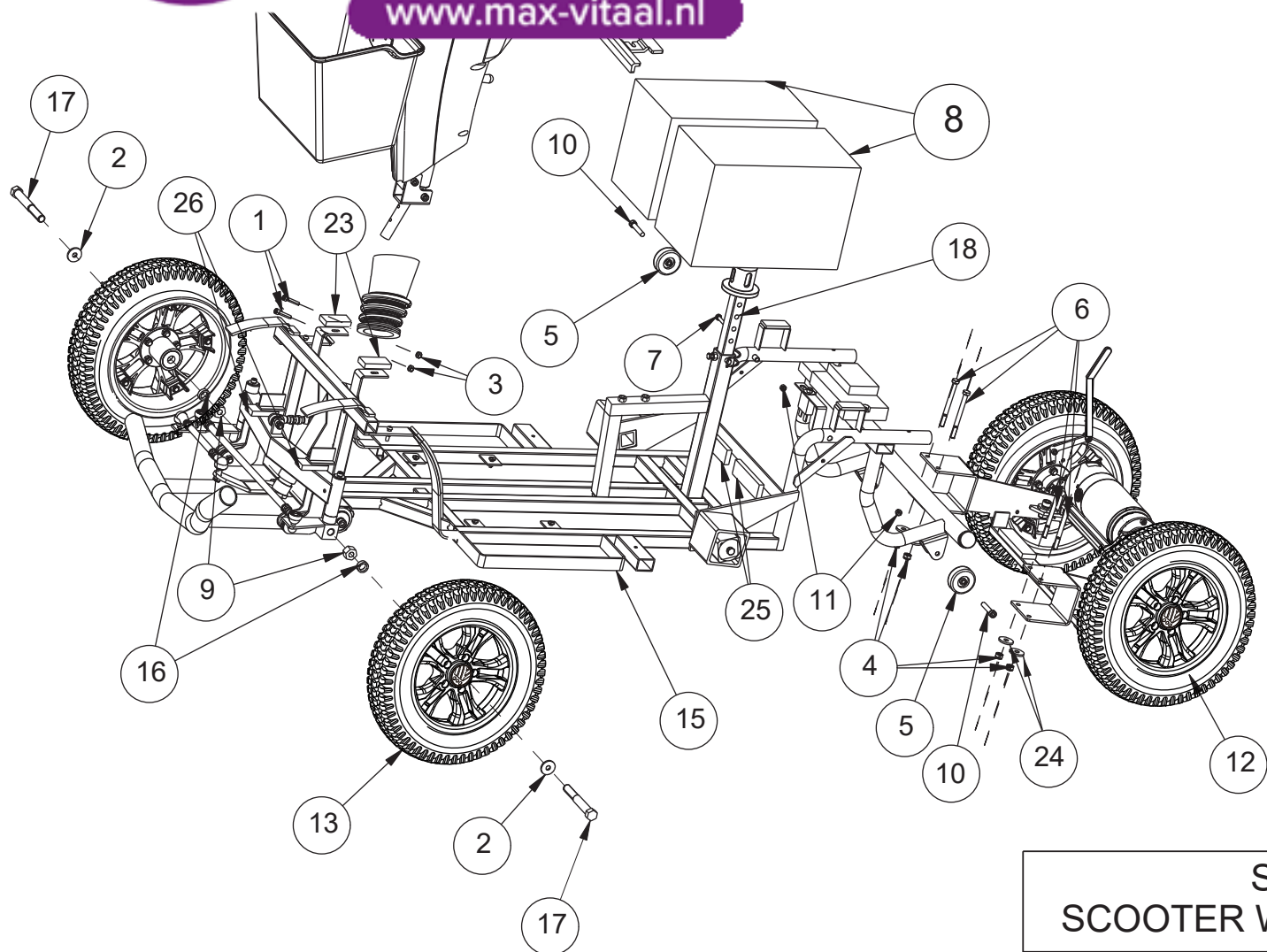
SV CARPO SE BASIC FRAME ASM				Plan No.
				EC00286/D
Scale:	Drafted	Verified	Confirmed	
Date	11/03/2014	11/03/2014	11/03/2014	
Init.	Betty	JJQ	TG	



Material			
No.	Plan	Article	Number
1	—	1997328	4
-	---	---	-
3	—	1001680	14
4	—	1006998	2
5	—	1006999	4
6	—	3991095	2
7	EC00294	—	1
8	EC00141	—	1
9	EC00297	—	1
10	EC00143	—	1
11	EC00300	—	1
12	XC00326	3990668	1
13	XC00331	3990650	1
14	---	3991368	5
15	XC00364	3991351	4
16	XC00365	3991352	1
17	---	2991312	2
18	---	1991017	2


EC00293/E

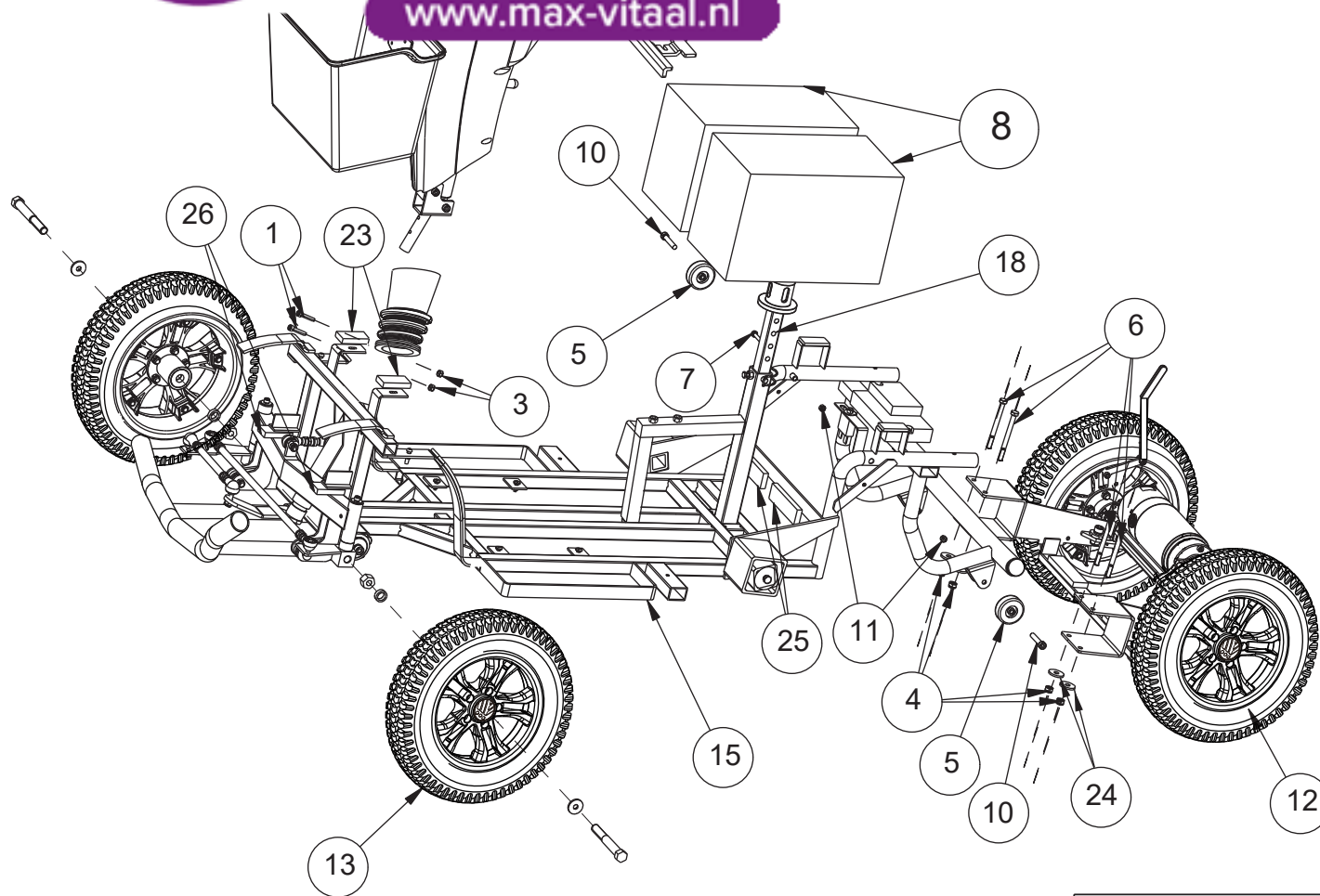
SV CARPO2 SE SCOOTER				Plan No.
				EC00293/E
Scale: 1:12	Drafted	Verified	Confirmed	
Date	02/11/2017	25/09/2015	25/09/2015	
Init.	Mars	JJQ	TG	



Material			
No.	Plan	Article	Number
1	---	1001496	2
2	---	1001560	2
3	---	1001680	3
4	---	1001682	4
5	---	3990909	2
6	---	1904794	4
7	---	1908726	1
8	---	1908980	2
9	---	3992772	2
10	DIN912 M6X40	3991108	2
11	DIN985 M6	3991110	2
12	EC00301	---	1
13	EC00298	---	2
14	EC00116	---	1
15	EC00299	---	1
16	XC00198	3990729	2
17	XC00295	3990735	2
18	XC00319	3990636	1
19	YC01993	1C72504	1
20	---	3992314	1
21	---	---	-
22	---	---	-
23	XC00274	3990732	2
24	---	1001570	4
25	---	1990369	0.1
26	---	3992115	2


EC00294/G

SV CARPO2 SE SCOOTER WITHOUT SHEEL ASM				Plan No. EC00294/G
Scale:1:12	Drafted	Verified	Confirmed	
Date	02/11/2017	03/03/2015	03/03/2015	
Init.	Mars	JJQ	TG	



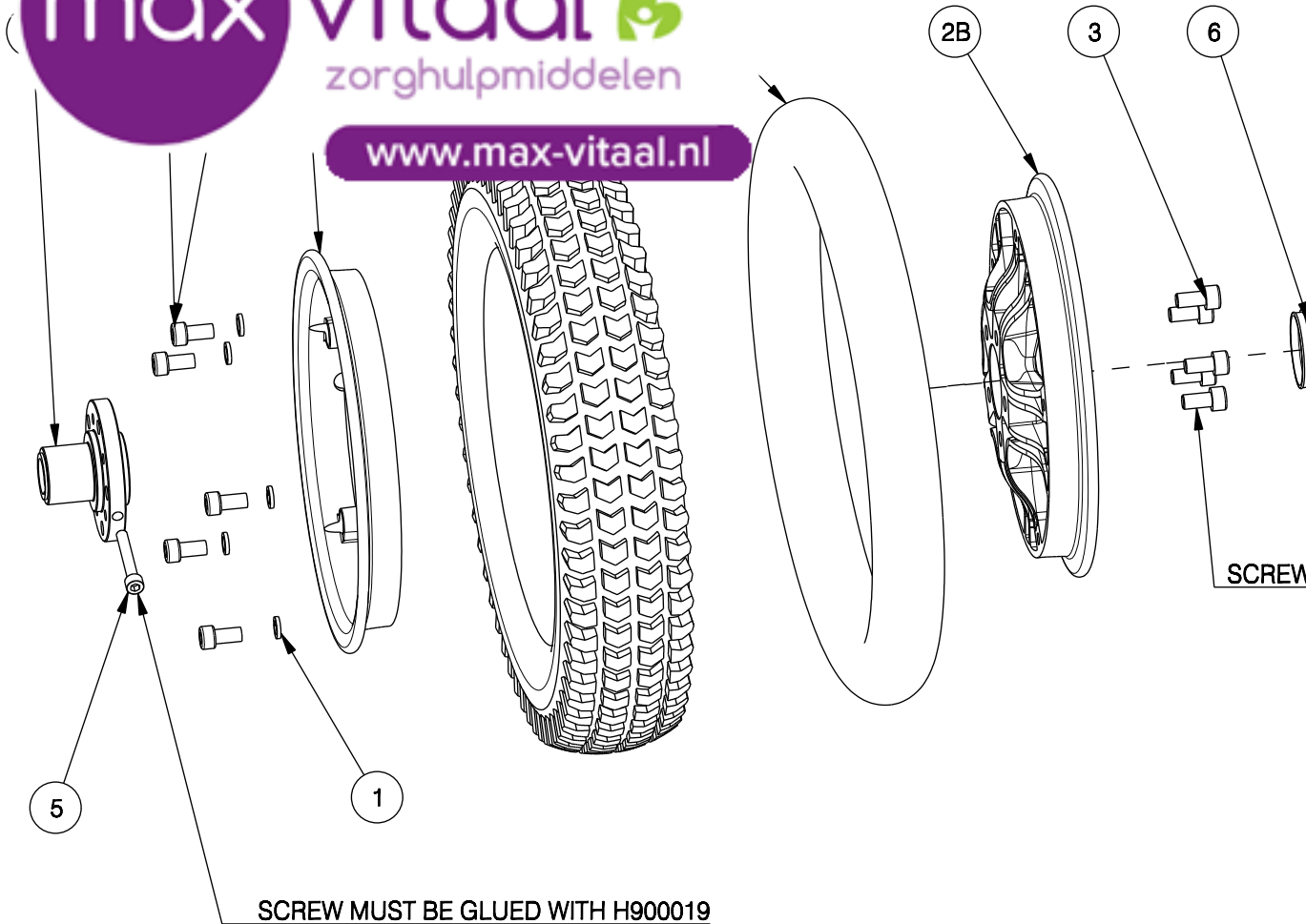
Material			
No.	Plan	Article	Number
1	---	1007516	2
4	---	1001682	6
5	---	3990909	2
6	---	1904794	4
7	---	1908726	1
8	---	1908980	2
10	DIN912 M6X40	3991108	2
11	DIN985 M6	3991110	2
12	EC00301	---	1
13	EC00298	---	2
14	EC00116	---	1
15	EC00299	---	1
18	XC00319	3990636	1
19	YC01993	1C72504	1
20	---	3992314	1
21	---	---	-
22	---	---	-
23	XC00274	3990732	2
24	---	1001570	4
25	---	1990369	0.1
26	---	3992115	2

EC00294/J

SV CARPO2 SE SCOOTER WITHOUT SHEEL ASM				Plan No. EC00294/J
Scale:1:12	Drafted	Verified	Confirmed	
Date	02/11/2017	13/02/2019	13/02/2019	
Init.	Mars	NY	TG	



www.max-vitaal.nl




Material			
No.	Plan	Article	Number
1	---	1001570	5
2	---	3992790	1
2A	X005470	2011904	1
2B	X005469	2011804	1
2C	DIN912 M8x20	3991197	5
2D	---	1006903	1
2E	---	1905403	1
3	DIN912 M8x16	3991741	5
4	XC00186	3990720	1
5	---	1003909	1
6	X005083	1908680	1

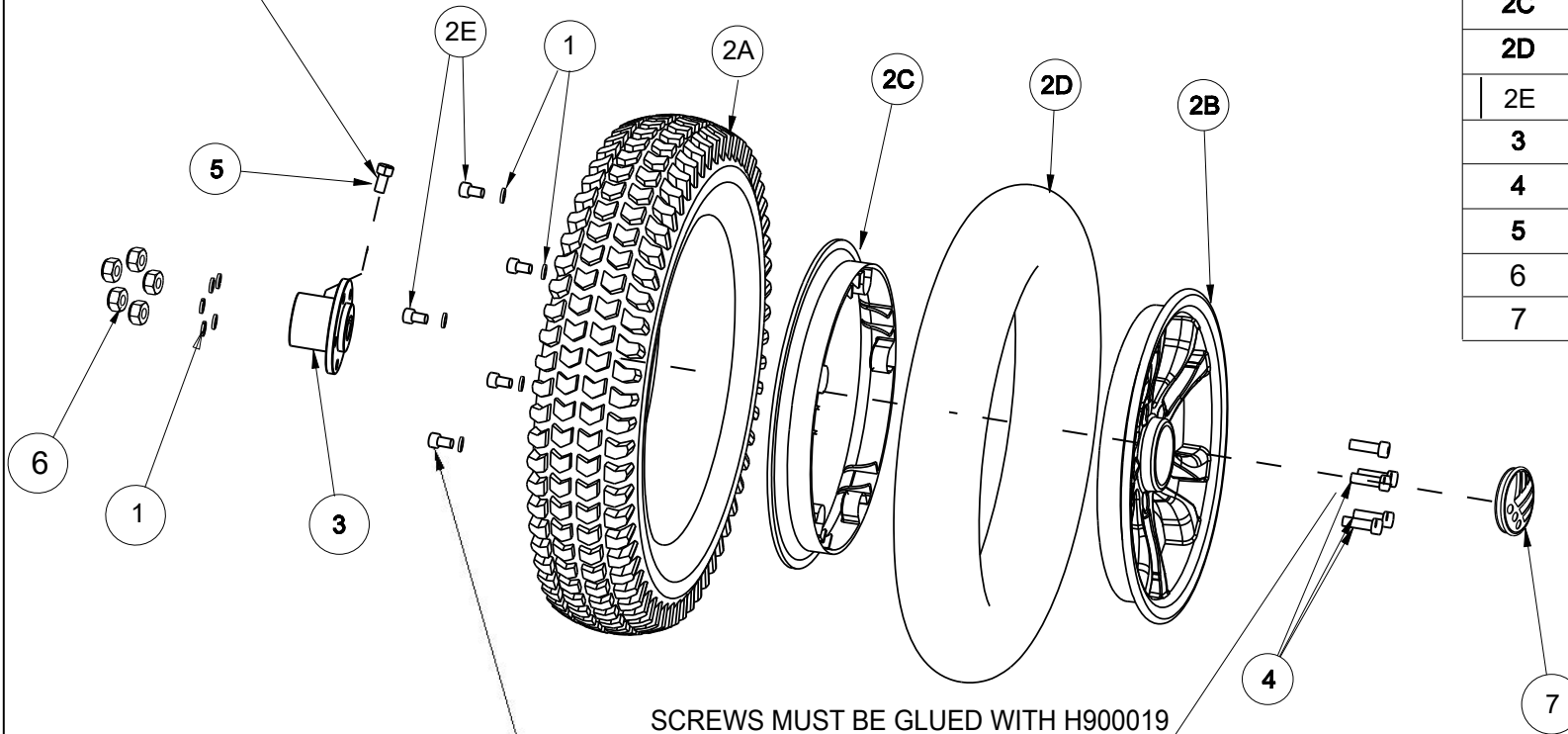
SCREWS MUST BE GLUED WITH H900019

SCREW MUST BE GLUED WITH H900019

EC00295 /J

SV CARPO SE BACK WHEEL SET LEFT				Plan Number
				EC00295 /J
Scale: 1:4	Drafted	Verified	Confirmed	
Date	25/09/2015	13/03/2020	13/03/2020	
Initials	KZ	AL	TG	


Material			
No.	Plan	Article	Number
1	---	1001570	10
2	---	3992790	1
2A	---	1905403	1
2B	X005469	2011804	1
2C	X005470	2011904	1
2D	---	1006903	1
2E	DIN912 M8X20	3991197	5
3	XC00187	1C26800	1
4	DIN912 M8X25	3991096	5
5	DIN916 M8X30	1001443	1
6	---	3991743	5
7	X005083	1908680	1

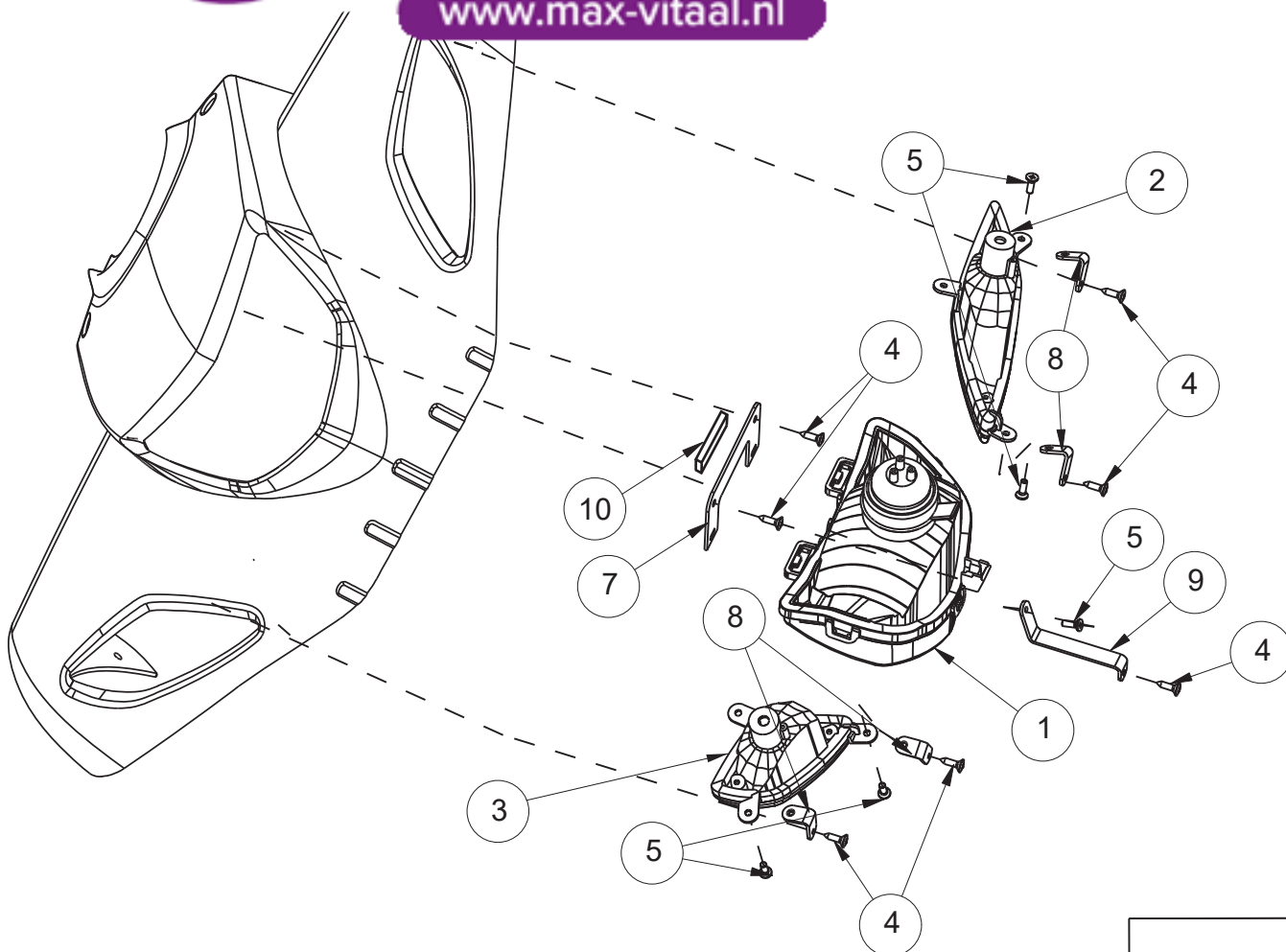


SCREWS MUST BE GLUED WITH H900019

Torque:25NM
SCREW MUST BE GLUED WITH H900019


EC00296/I

SV CARPO SE BACK WHEEL SET RIGHT				Plan No.
				EC00296/I
Scale: 1:5	Drafted	Verified	Confirmed	
Date	25/09/2015	13/03/2020	13/03/2020	
Init.	KZ	AL	TG	

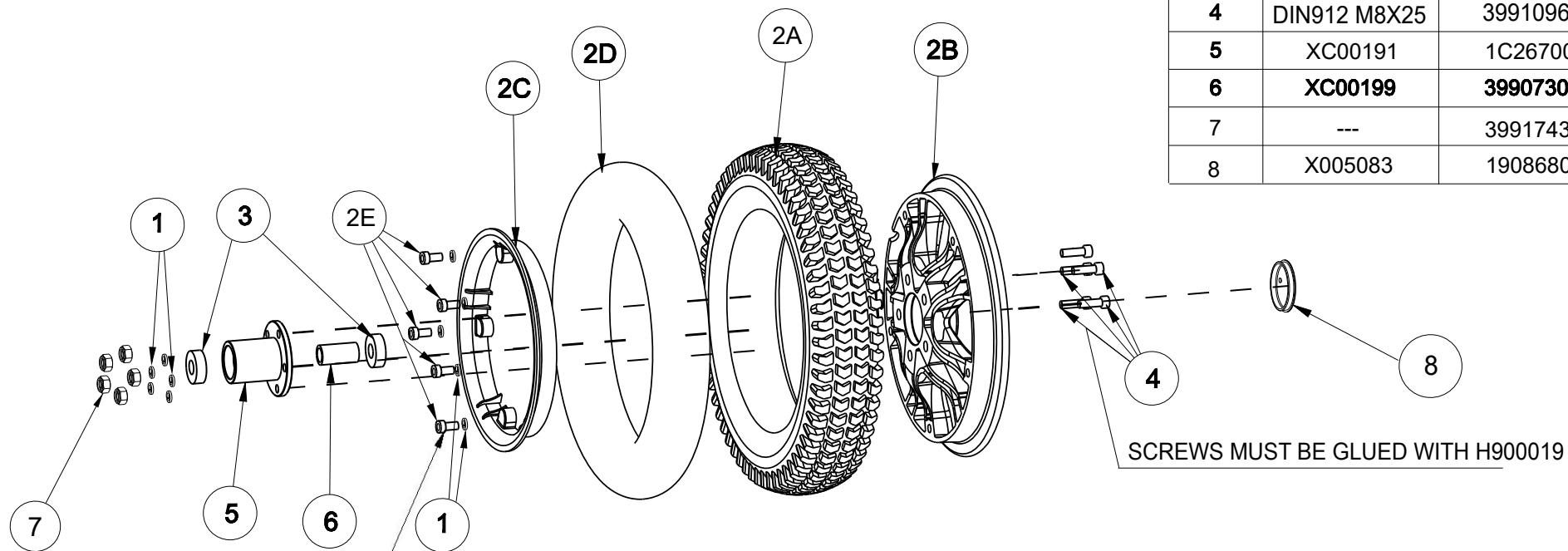


Material			
No.	Plan	Article	Number
1	---	3990603	1
2	---	3990605(L)	1
3	---	3990604(R)	1
4	---	3991105	7
5	---	3991134	5
6	XC00441	1C520	1
	---	1C520SI	1
	---	1C520BA	1
	---	1C520CH	1
	---	1C520BR	1
	---	1C520RE	1
	---	1C520BU	1
7	YC00680	1C27900	1
8	YC00681	1C28000	4
9	YC00682	1C28100	1
10	XC00179	3990713	1

EC00297/B

SV CARPO SE FRONT_SHELL ASM				Plan No.
				EC00297/B
Scale: 1:5	Drafted	Verified	Confirmed	
Date	14/06/2013	14/06/2013	14/06/2013	
Init.	KZ	JC	TG	


Material			
No.	Plan	Article	Number
1	---	1001570	10
2	---	3992790	1
2A	---	1905403	1
2B	X005469	2011804	1
2C	X005470	2011904	1
2D	---	1006903	1
2E	DIN912 M8X20	3991197	5
3	---	3991077	2
4	DIN912 M8X25	3991096	5
5	XC00191	1C26700	1
6	XC00199	3990730	1
7	---	3991743	5
8	X005083	1908680	1



SCREWS MUST BE GLUED WITH H900019

Torque: 25NM
SCREW MUST BE GLUED WITH H900019

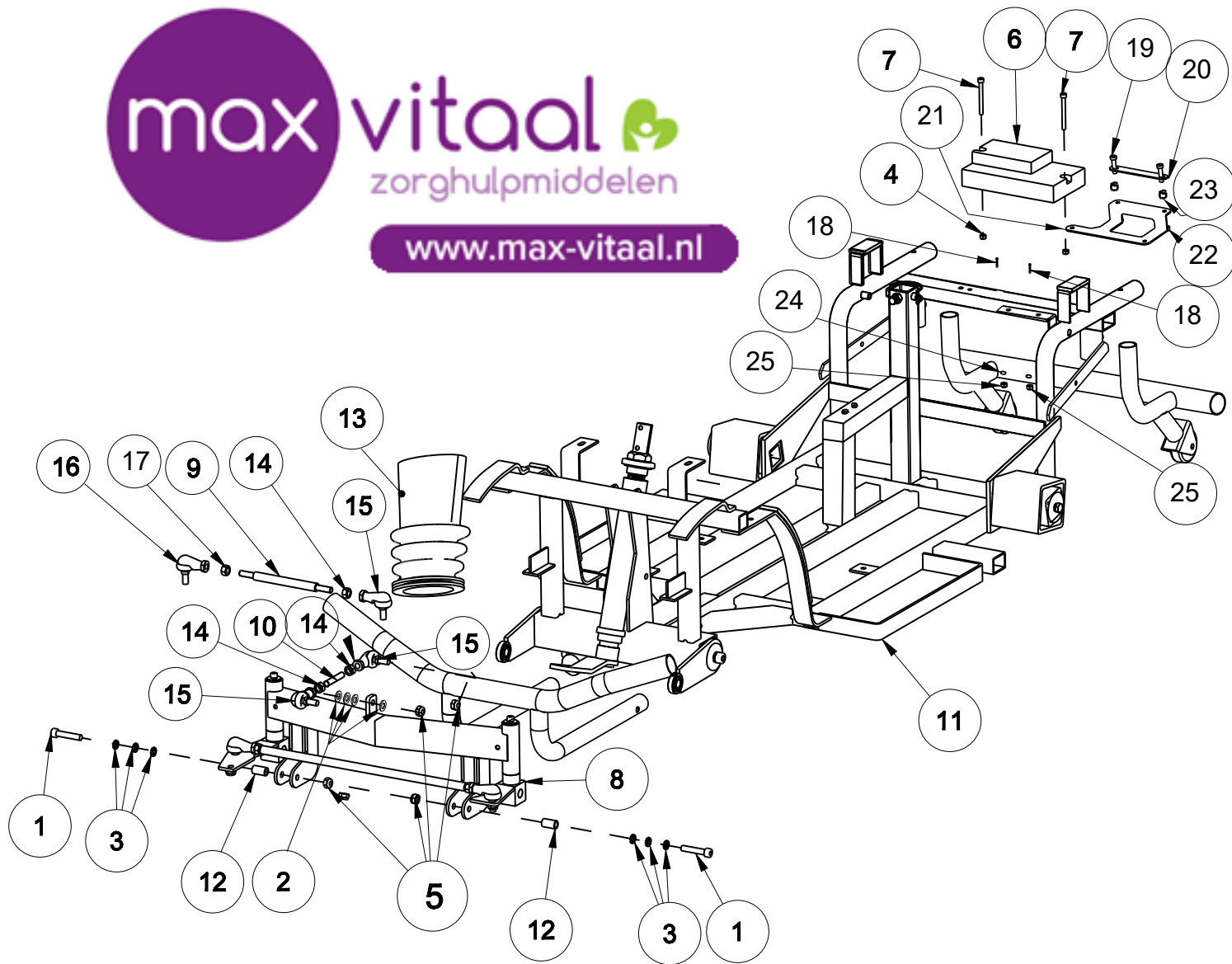
EC00298/H

SV CARPO SE FRONT WHEEL ASM				Plan No.
				EC00298/H
Scale: 1:4	Drafted	Verified	Confirmed	
Date	25/09/2015	13/03/2020	13/03/2020	
Init.	KZ	AL	TG	



max vitaal
zorghulpmiddelen

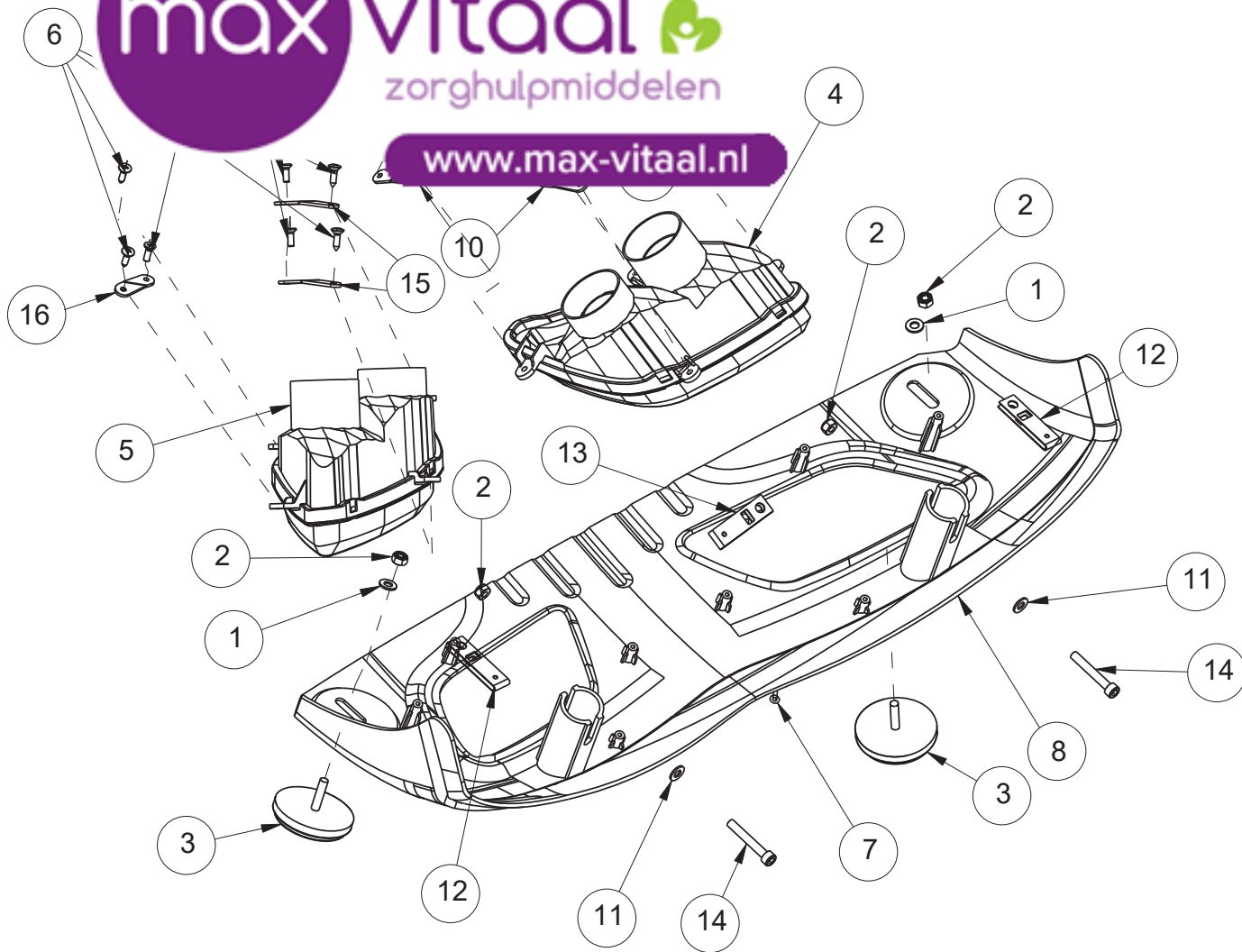
www.max-vitaal.nl



Material			
No.	Plan	Article	Number
1	---	1001500	2
2	---	1001570	4
3	---	1993362	6
4	---	1001669	2
	---	---	-
5	---	1001682	6
6	---	3990624	1
7	---	3991349	2
8	EC00110	---	1
9	XC00427	3991875	1
10	XC00178	3990712	1
11	EC00286	---	1
12	XC00174	3990671	2
13	XC00333	3990645	1
14	---	1001671	3
15	---	3990637	3
16	---	3991877	1
17	---	3992037	1
18	---	3992407	2
19	---	1001494	2
20	YC01797	1C62404	1
21	YC01799	1C62304	1
22	---	1001680	2
23	XP00545	GP03900	2
24	---	1005138	2
25	---	1001678	2
---	---	---	---

EC00299/F

SV CARPO SE MAIN-BASIC ASM				Plan No.
				EC00299/F
Scale: 1:10	Drafted	Verified	Confirmed	
Date	23/09/2015	23/09/2015	23/09/2015	
Init.	KZ	JC	TG	



Material			
No.	Plan	Article	Number
1	---	1997328	2
2	---	1001680	6
3	---	3990601	2
4	---	3990606	1
5	---	3990607	1
6	---	1001530	8
7	---	3991134	6
8	XC00442	3992139	1
9	YC00684	1C28300	1
10	YC00683	1C28200	2
11	---	1997328	4
12	XC00364	3991351	2
13	XC00365	3991352	1
14	---	1991017	2
15	YC03055	1C78300	2
16	YC03054	1C78200	1

EC00300/D

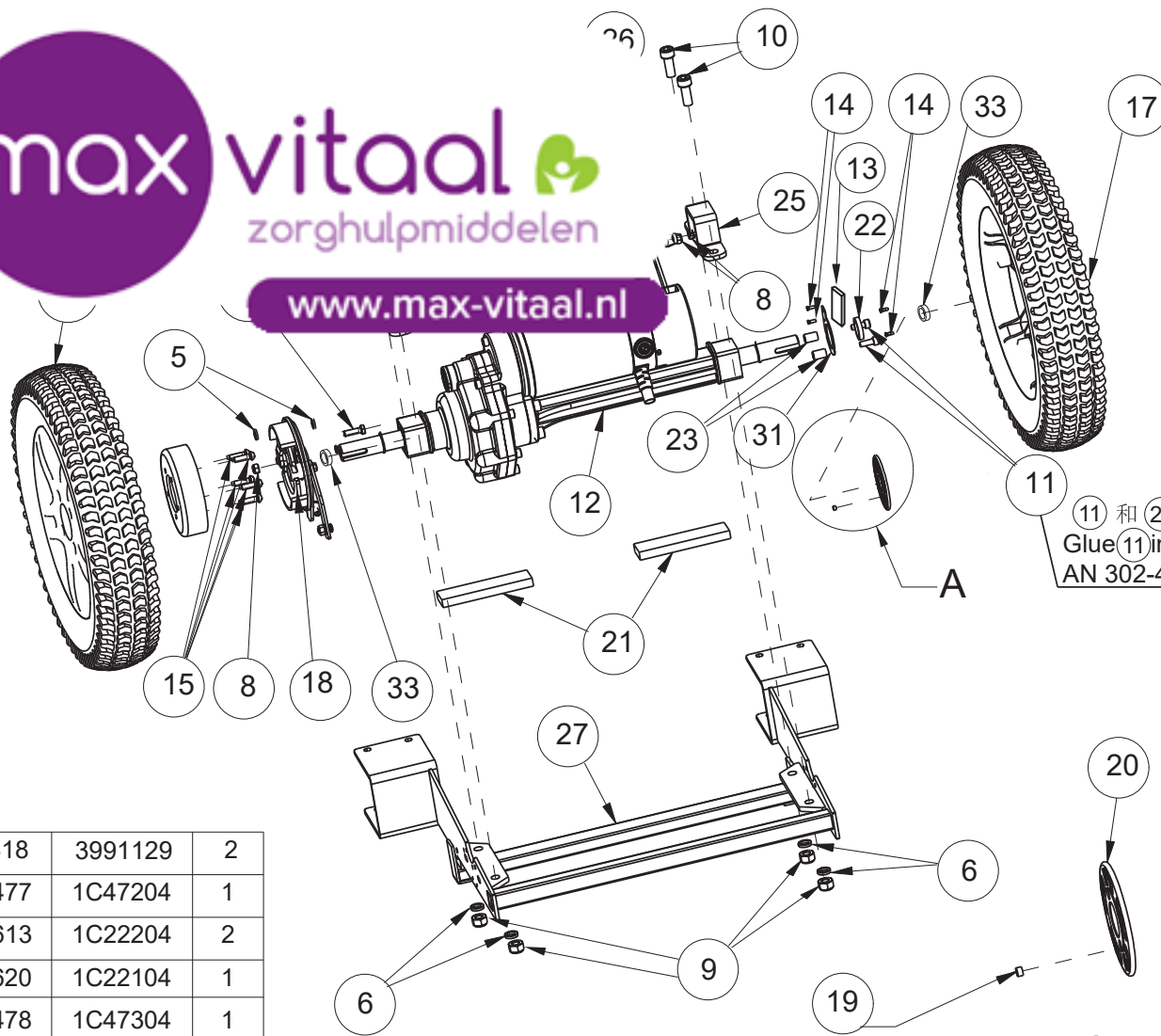
SV CARPO SE REAR-SHELL ASM

Plan No.

EC00300/D

Scale: 1: 5	Drafted	Verified	Confirmed
Date	23/09/2017	11/05/2018	11/05/2018
Init	Mars	Mars	TG





23	XC00318	3991129	2
24	YC01477	1C47204	1
25	YC00613	1C22204	2
26	YC00620	1C22104	1
27	YC01478	1C47304	1
--	---	---	-
--	---	---	-
31	YC00671	1C46500	1
32	---	1001493	2
33	---	1553400	2

EC00301/E

Material

No.	Plan	Article	Number
1	---	1000973	6
2	---	1001495	1
--	---	---	-
--	---	---	-
5	---	1001564	2
6	---	1001566	4
--	---	---	-
8	---	1001680	3
9	---	1001683	4
10	---	1001502	4
11	---	1006998	2
12	---	750W 3990598 600W 3990597	1
13	---	3992015	1
14	---	3990797	4
15	---	3990062	5
16	EC00296	---	1
17	EC00295	---	1
18	XC00188	3990643	1
19	XC00189	3990722	1
20	XC00190	3990617	1
21	XC00274	3990732	2
22	XC00296	3990672	1

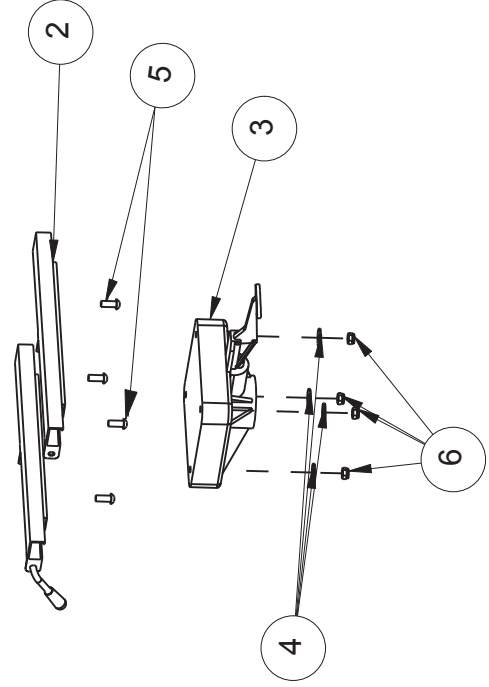
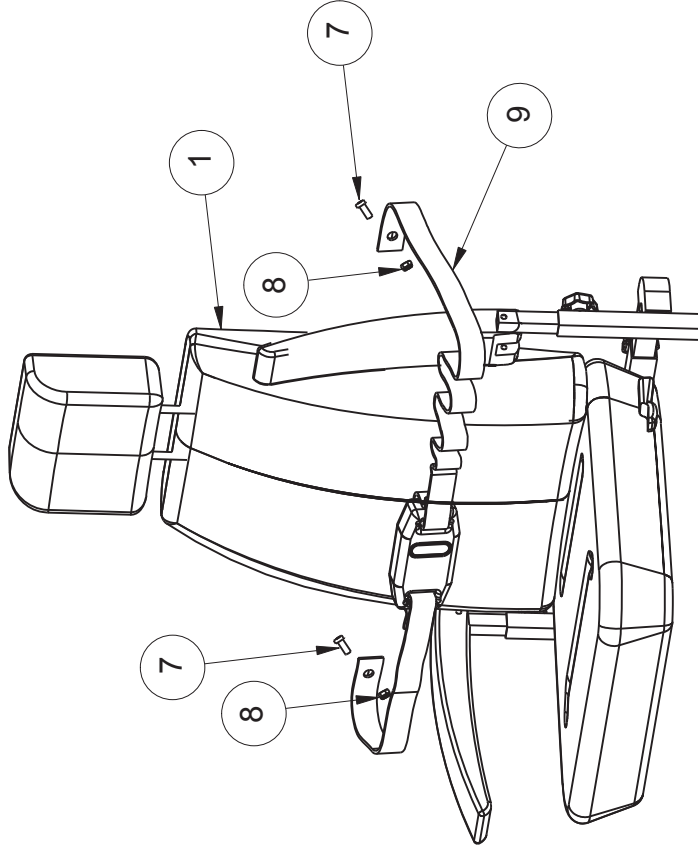
⑪ 和 ⑳ 之间加螺纹胶
Glue ⑪ into ⑳ with weicon
AN 302-43(H900009)

Put the magnet to hole with glue
keep the magnet at the same side

A
1:4

SV CARPO SE REAR WHEEL ASM				Plan No.
				EC00301/E
Scale: 1:8	Drafted	Verified	Confirmed	
Date	11/03/2015	27/08/2018	27/08/2018	
Init.	Mars	Mars	TG	

Material		
No.	Plan	Article
1	---	3990575
2	---	399067
3	---	39906
4	---	39911
5	---	19918
6	---	10016
7	DIN912 M10X20	39914
8	DIN934 M10	39914
9	---	39913



SV CARPO2 SEAT SET ASM

Scale: 1:10		Drafted		Verified		Confirmed	
Date		08/10/2012		08/10/2012		10/10/2012	
Init.		WW		WW		TG	
Plan No.				EC00141/B			
							